



# SA VENT CONCEPT

SMALL APPLIANCE VENTILATION SYSTEM

Finally – the freedom to locate small cooking appliances where you want them!

- The SA Vent is a countertop ventilation system for small appliances located **outside** the range of a kitchen ventilation hood.
- SA Vents go **anywhere** with access to standard 120V power.
- SA Vent **removes** smoke, grease-laden air, moisture and odors, improving the environment for kitchen staff and patrons.
- Special air capture hoods designed to handle odor, grease and smoke produced by different appliances.

The SA Vent line of countertop ventilation systems provides flexibility in foodservice equipment layout.



- Cleansed air recirculates through the base.
- Easy cleaning: **no tools** needed to access and remove filters.
- **Safety feature:** filters and front panel must be in place for unit to operate.
- No installation. Minimal assembly required.
- Applications: convection or bake ovens, panini grills, toasting equipment, pizza ovens, crepe makers, waffle bakers, induction cookers, steamers and similar Type 2 cooking equipment.



765 WESTMINSTER STREET PROVIDENCE, RI 02903  
 TEL: (401)273-3300 FAX: (401)273-3328 E-mail: sales@equipex.com  
 www.equipex.com

Patent Pending



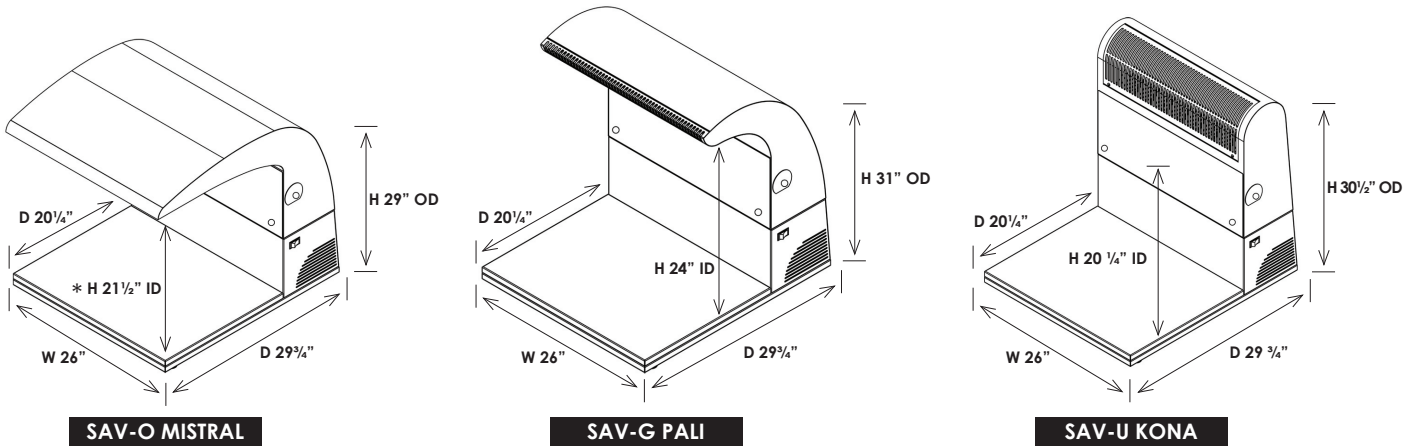
Intertek  
 UL197  
 CSA 22.2



Intertek  
 NSF-2



Intertek  
 NFPA 96  
 EPA 202



**SAV-O MISTRAL**

**SAV-G PALI**

**SAV-U KONA**

\* Higher profile optional

## SPECIFICATIONS

MODEL	DIMENSIONS (HWD)	CAPACITY	ELECTRICAL	NEMA PLUG	HVAC	SHIP WEIGHT
<b>SAV-O Mistral*</b> UL/CSA/NSF/ EPA202	29" x 26" x 29 <sup>3</sup> / <sub>4</sub> " Base 26"W x 20 <sup>1</sup> / <sub>4</sub> "D	Holds up to 150 lbs & dimensions up to 26"W by 20"D (optional platform extensions available)	120V, 5.5 amps, 350 watts, single phase. 6 foot power cord. Cord exit located in right rear side of base.	5-15P	500 CFM	155 lbs Must be shipped common carrier.
<b>SAV-G Pali*</b> UL/CSA/NSF/ EPA202	31" x 26" x 29 <sup>3</sup> / <sub>4</sub> " Base 26"W x 20 <sup>1</sup> / <sub>4</sub> "D					
<b>SAV-U Kona</b> UL/CSA/NSF	30 <sup>1</sup> / <sub>2</sub> " x 26" x 29 <sup>3</sup> / <sub>4</sub> " Base 26"W x 20 <sup>1</sup> / <sub>4</sub> "D					

Clearances: 2" at right and left sides; 1" at rear – allow 8" for removal of grease cup on right.  
Height of base with feet: 4 1/4"

## CONSTRUCTION

- 304 Stainless Steel, #4 finish
- Filters removable from the front of the equipment:
  1. Angled baffle grease filter, cleanable and reusable
  2. Electrostatic material particulate filter to remove smaller particles in the air – disposable
  3. Activated charcoal filter to treat smoke and odors – disposable
- Removable grease collection container

## Installation

No installation. Minimal assembly required. Unit must be placed on level surface. Unit furnished with adjustable feet.

## Warranty

One year limited parts and labor (except filters)

## Approvals

These products are approved to UL Safety, CSA and NSF Sanitation standards.

\*Mistral and Pali models are certified to meet EPA 202 test method in accordance with NFPA 96.

Check local ordinances. Local codes will prevail.

## Patent Pending

